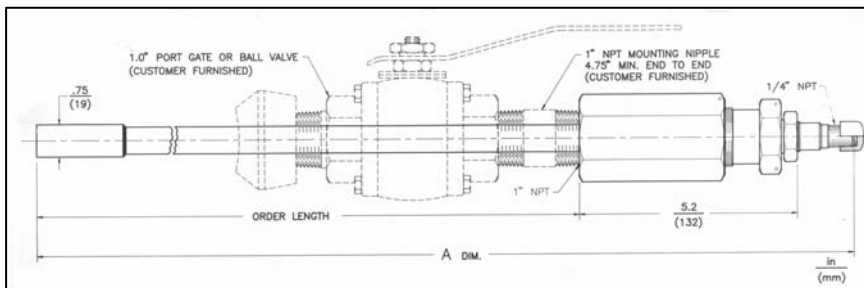


Model 6330 COSASCO[®] Retractable System Injection/Sampling Tube Assemblies



Order Length	"A" Dimension	
	Inches	mm
18	24.54	623
24	30.54	775
30	36.54	928
36	42.54	1080

Specifications:

- **Pressure Rating — 1500 PSI (10.3 MPa)**
- **Mounting — 1" Full Port Valve Minimum**
- **Temperature Rating — +500 °F/+260 °C**
- **Tube and Adapter Material — 304 S.S.**
- **Stuffing Box Material — 316 S.S.**
- **Seal Material — Teflon**

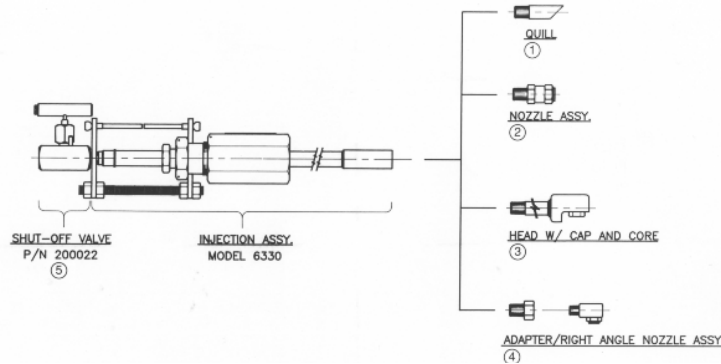
The Model 6330 Injection/Sampling Tube Assemblies provide a retractable means of chemical injection or process fluid sampling at pressures up to 1500 PSI/10.3 MPa and temperatures up to +500° F/ +260° C. Insertion of the tube can be adjusted to permit injection/sampling at precisely the desired point within the process fluid.

Standard lengths are available in 18, 24, 30, and 36 inches. The 1/4" female NPT on the process side of the injection tube allows you to install a quill or choose from various nozzle configurations to meet your injection requirements.

Ordering Information:

Model	Retractable Injection Tube	
6330	Complete Injection Tube Assembly - 1" NPT Stuffing Box	
	Code	Order Length
	18	18 Inches
	24	24 Inches
	30	30 Inches
	36	36 Inches
	Code	Safety Clamp Option
	0	No Safety Clamp
	1	With Safety Clamp

6330	-	18	-	1	←	Example
------	---	----	---	---	---	---------

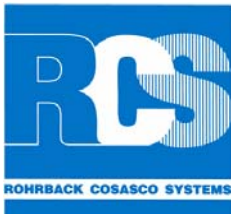


Accessories:

Option Number Per Drawing	Order Number	Description	Additional Information																				
1	6300-2.00	Injection Tube 1/4" NPT Quill 2.00																					
2	129183 201020 201021	Nozzle 1/4" Male NPT .30 Nozzle 1/4" Male NPT .40 Nozzle 1/4" Male NPT .60	GPH Capacity @ Pressure Differential <table border="1"> <tr> <td></td> <td>40 PSI</td> <td>60 PSI</td> <td>80 PSI</td> <td>100 PSI</td> </tr> <tr> <td>.30</td> <td>.30</td> <td>.36</td> <td>.42</td> <td>.48</td> </tr> <tr> <td>.40</td> <td>.40</td> <td>.48</td> <td>.56</td> <td>.64</td> </tr> <tr> <td>.60</td> <td>.60</td> <td>.72</td> <td>.84</td> <td>.96</td> </tr> </table>		40 PSI	60 PSI	80 PSI	100 PSI	.30	.30	.36	.42	.48	.40	.40	.48	.56	.64	.60	.60	.72	.84	.96
	40 PSI	60 PSI	80 PSI	100 PSI																			
.30	.30	.36	.42	.48																			
.40	.40	.48	.56	.64																			
.60	.60	.72	.84	.96																			
3	A. 6304-2.25*	Injection Tube 1/4" NPT X Head 2.25																					
	B.129490 129473 129472	Cap and Core Cap and Core Cap and Core	GPH Capacity @ Pressure Differential <table border="1"> <tr> <td></td> <td>40 PSI</td> <td>60 PSI</td> <td>80 PSI</td> <td>100 PSI</td> </tr> <tr> <td>.30</td> <td>.30</td> <td>.36</td> <td>.42</td> <td>.48</td> </tr> <tr> <td>.40</td> <td>.40</td> <td>.48</td> <td>.56</td> <td>.64</td> </tr> <tr> <td>.60</td> <td>.60</td> <td>.72</td> <td>.84</td> <td>.96</td> </tr> </table>		40 PSI	60 PSI	80 PSI	100 PSI	.30	.30	.36	.42	.48	.40	.40	.48	.56	.64	.60	.60	.72	.84	.96
	40 PSI	60 PSI	80 PSI	100 PSI																			
.30	.30	.36	.42	.48																			
.40	.40	.48	.56	.64																			
.60	.60	.72	.84	.96																			
4	A.129108	Adapter Bushing 1/4" to 1/8" NPT - 316 S.S.																					
	B.030472** 030472-X1**	Right Angle Nozzle 1/8 B.5 Right Angle Nozzle 1/8 B5	GPM Capacity @ Pressure Differential <table border="1"> <tr> <td></td> <td>10 PSI</td> <td>20 PSI</td> <td>40 PSI</td> <td>100 PSI</td> </tr> <tr> <td>.05</td> <td>.05</td> <td>.07</td> <td>.10</td> <td>.16</td> </tr> <tr> <td>.50</td> <td>.50</td> <td>.70</td> <td>1.0</td> <td>1.6</td> </tr> </table>		10 PSI	20 PSI	40 PSI	100 PSI	.05	.05	.07	.10	.16	.50	.50	.70	1.0	1.6					
	10 PSI	20 PSI	40 PSI	100 PSI																			
.05	.05	.07	.10	.16																			
.50	.50	.70	1.0	1.6																			
5	200022	Shut-Off Valve 1/4" NPT 316 S.S.																					

*Required 1 1/2" Full Port Ball Valve for mounting

**Requires P/N 129108 for installation



Rohrback Cosasco Systems, Inc.
 11841 East Smith Avenue
 Santa Fe Springs, CA 90670, USA
 Tel: (1) 562-949-0123 Fax: (1) 562-949-3065
 US Toll Free: 800-635-6898
 E-Mail: sales@cosasco.com
 Web Site: www.cosasco.com



ISO 9001:2008
 Certificate No. FM 10694

Model 60 COSASCO[®] Retractable System Retractor Kit

1500 PSI (10.3 MPa)
Working Pressure

Specifications:

- ***Quick Mounting & Release***
- ***Simple to Operate***
- ***Lightweight***
- ***1500 PSI Working Pressure***
- ***Convenient Carrying Case***
- ***COSASCO[®] Proven Reliability***

The COSASCO[®] Retractor is a lightweight tool easily and simply operated by one person. It provides safe and controlled insertion and retraction of probes, sensors and injection devices at pressures up to 1,500 psi.

Over thirty years of field experience brings you the safest and most reliable retractor available. A simple clamp installs or removes the retractor in seconds. A safety release pin assures a safe, secure attachment during installation or retraction. This Retractor has been designed and field tested to comply with RCS' high standards for reliability and safety.

The COSASCO[®] Retractor is completely compatible with the RCS Retractable System of access fittings, probes, sensors and injection devices. It is also compatible with a standard 1" full port ball valve and nipple assembly.

The COSASCO[®] Retractor comes complete with tools and adaptors in a handy carrying case for easy portability and storage.



Specifications:

Description (See Illustration)	Ordering Length	
	24	36
Retractor Overall Length	35" .89 m	47" 1.2m
Minimum Working Radius	9.5" .24m	9"5" .24m
Retractor Assembly Weight	19# 8.62 kg	22# 9.98 kg
Shipping Weight (Net)	27# 12.25 kg	35# 15.88 kg
Shipping Cubage	1.0 cu. ft. .03 cu. m	1.3 cu. ft. .04 cu. m

Retractable System Access Valve Assembly:

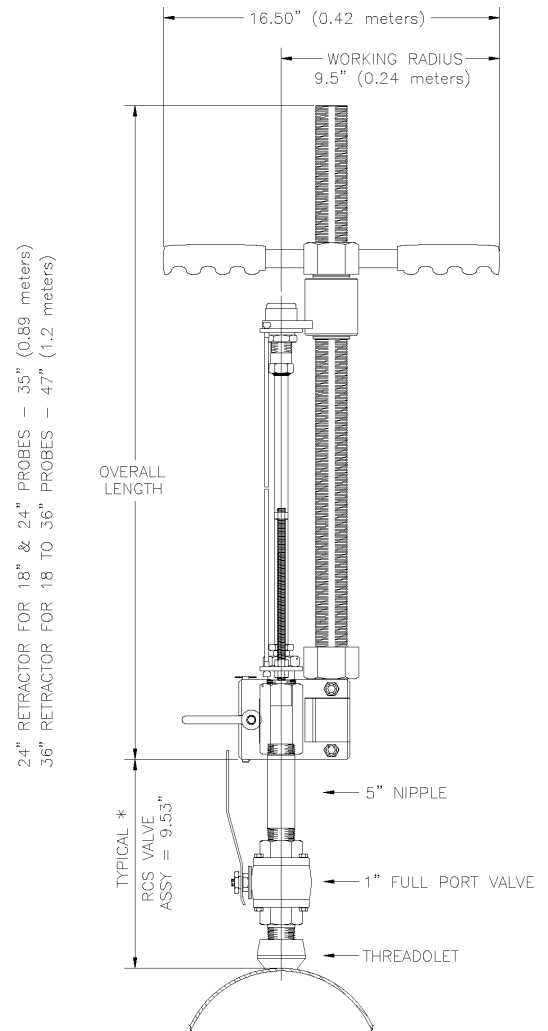
This Access System has been designed to be compatible with the commonly used ANSI 600# class rating. Operating pressures run to 1,500 psi (10.3 MPa) and temperatures to +500°F / +260°C.) See separate access valve assembly bulletin for details and ordering information.

Ordering Information:

Retractor Kit with carrying case:

P/N 603000-24 - For devices up to 24" order length

P/N 603000-36 - For devices up to 36" order length



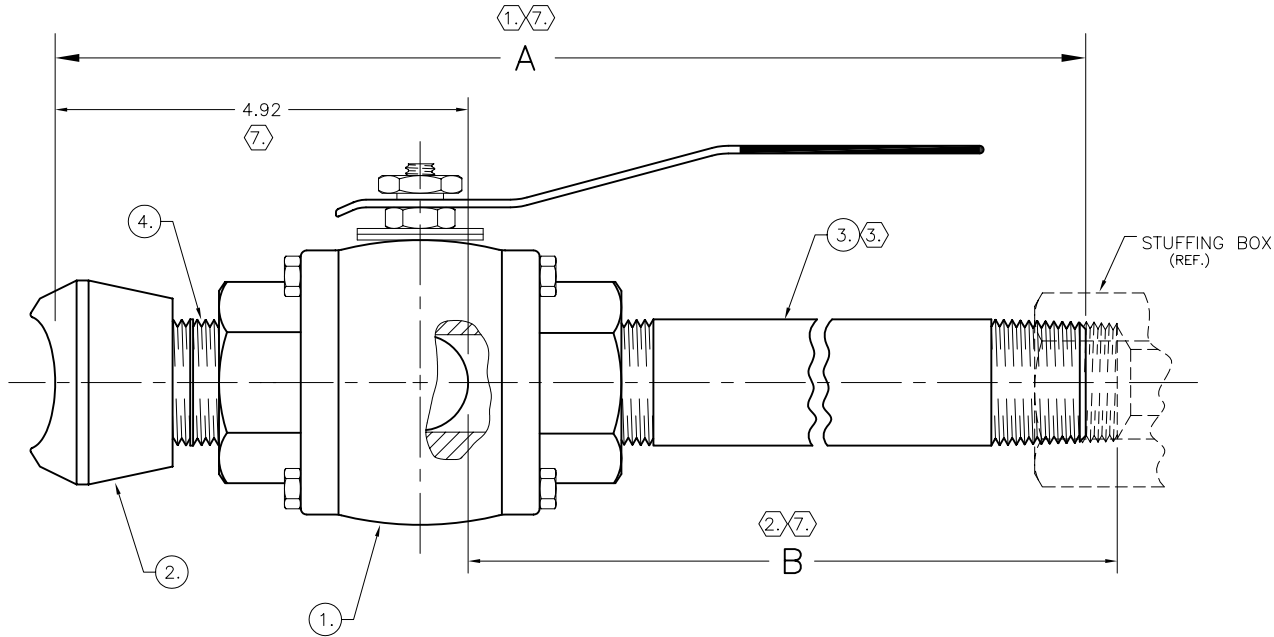
Rohrback Cosasco Systems, Inc.
11841 East Smith Avenue
Santa Fe Springs, CA 90670, USA
Tel: (1) 562-949-0123 Fax: (1) 562-949-3065
US Toll Free: 800-635-6898
E-Mail: sales@cosasco.com
Web Site: www.cosasco.com



ISO 9001:2008
Certificate No. FM 10694

INFORMATION CONTAINED HEREIN IS PROPRIETARY TO AND CONSIDERED A TRADE SECRET OF ROHRBACK COSASCO SYSTEMS, AND IS SUBMITTED IN CONFIDENCE. REPRODUCTION OF THIS DOCUMENT, EITHER IN WHOLE OR IN PART, OR DISCLOSURE OF ANY OF THE CONTENTS THEREOF, IS FORBIDDEN UNLESS WITH PRIOR WRITTEN AUTHORIZATION OF ROHRBACK COSASCO SYSTEMS.

REVISIONS					
REV	ECN	DESCRIPTION	BY	APPD	DATE
F	9060	REDRAWN ON C.A.D. & CHGD. CHART	R.E.P.	S.S.	11.JUN.97



RCS P/N:	PIPE SIZE RANGE	USE ITEM 2 P/N:
061500-1	1"	000245-1
061500-1.25	1 1/4"	000245-1.25
061500-1.50	1 1/2"	000245-1.50
061500-2	2"-3 1/2"	000245-2
061500-4	4"-36"	000245-4
061500-FLAT	FLAT	000245-FL

PART NUMBER IS AS FOLLOWS:
 061500-XX-L
 ORDER LENGTH (3, 4)
 PIPE SIZE (5)

- (7) ALL DIMENSIONS MEASURED WITH THREADS WRENCH TIGHT. ADD .26" FOR ALL THREADS NOT WRENCH TIGHT.
- 6. APPLY TEFLON® TAPE TO ALL THREADS BEFORE ASSEMBLING.
- (5) IF PIPE SIZE CODE = 0, THEN OMIT ITEM 2.
- (4) IF ORDER LENGTH IS NOT SPECIFIED, NIPPLE LENGTH IS 5.00".
- (3) ORDER LENGTH SPECIFIES NIPPLE LENGTH (ITEM 3).
- (2) B = L + 0.60
- (1) A = L + 5.52

NOTES: UNLESS OTHERWISE SPECIFIED:

4	1	EA.	000714-1	NIPPLE - 1" NPT, SCH. 80, 2" LONG
3	1	EA.	002073-8001-L	NIPPLE - 1" NPT BOTH ENDS, SCH. 80
2	1	EA.	000245-XX	THREDOLET - 1" NPT, 3000#, C.S.
1	1	EA.	745012-5	VALVE, BALL - FULL PORT, C.S., 1"
ITEM	QTY	UNIT	PART NUMBER	DESCRIPTION

PARTS LIST			
UNLESS OTHERWISE SPECIFIED:	DRAWN R. PARKER	DATE 10.JUN.97	ROHRBACK COSASCO SYSTEMS SANTA FE SPRINGS, CALIFORNIA USA
CHECK TOLERANCES	AL KELLER	DATE 11.JUN.97	
.XX .XXX ANGLES	ENGR S.L. STRICKLIN	DATE 11.JUN.97	
±.25 ± - ± -	CUSTOMER		
SURFACE ROUGHNESS PER ANSI B46.1	CONTROL DOCUMENTS		TITLE
			ACCESS VALVE ASSEMBLY - RETRACTABLE SYSTEM, CARBON STEEL
NEXT ASSY	TOP ASSY	APPLICATION	SIZE
			C
HEAT TREAT	FINISH	MATERIAL	DWG. NO.
			061500
			SCALE
			NONE
			DO NOT SCALE DRAWING
			SHEET 1 OF 1